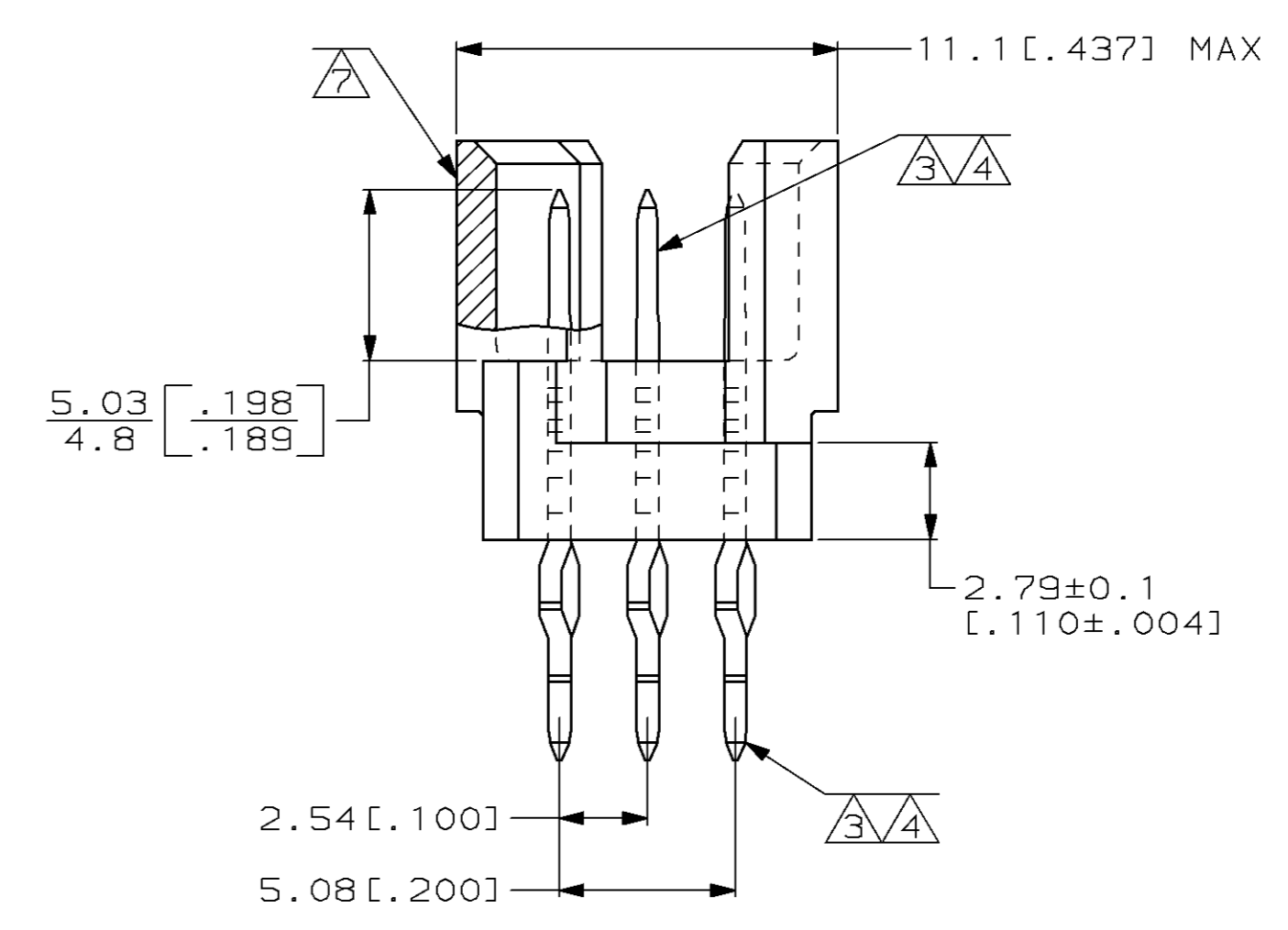
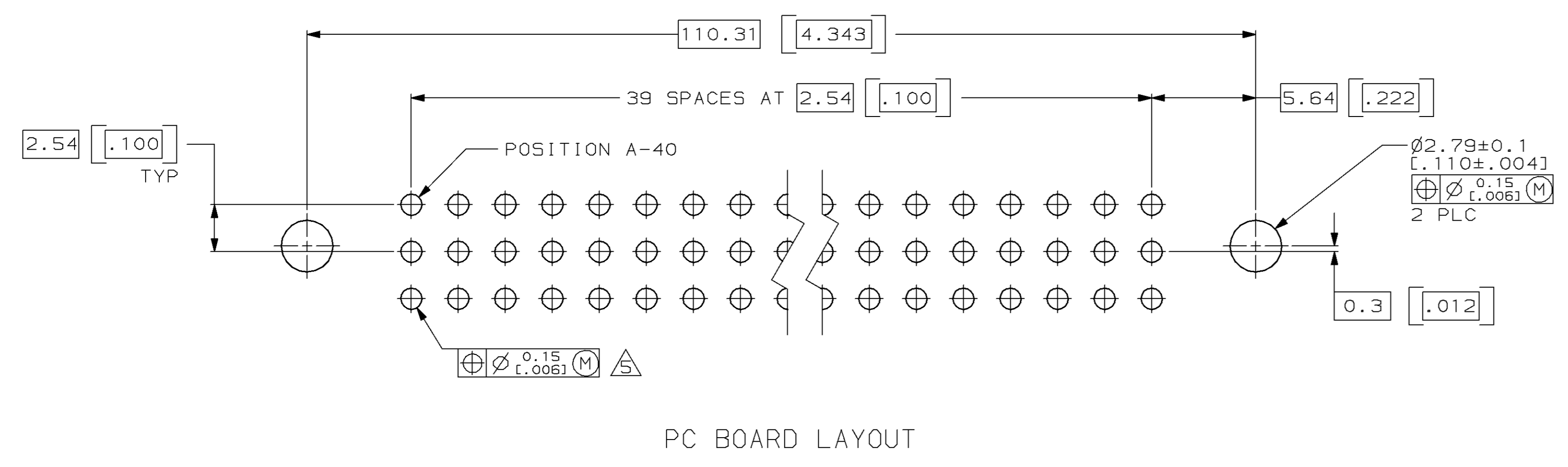
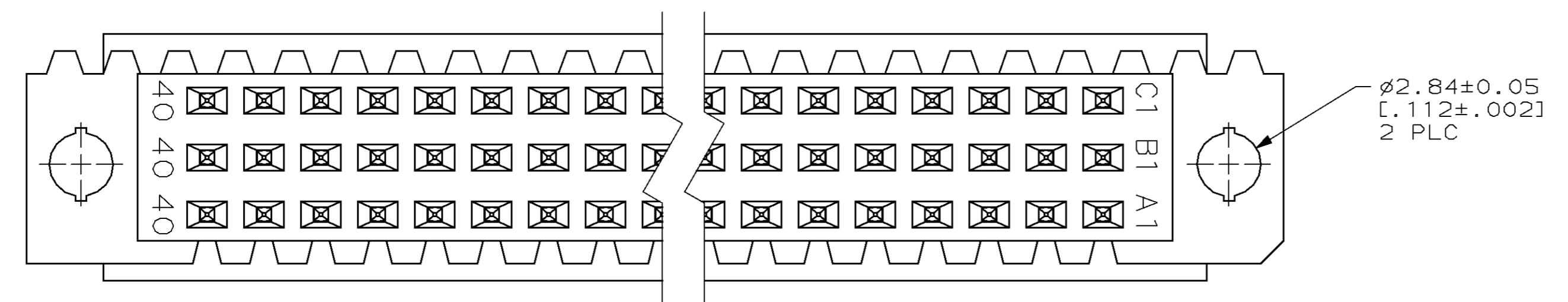
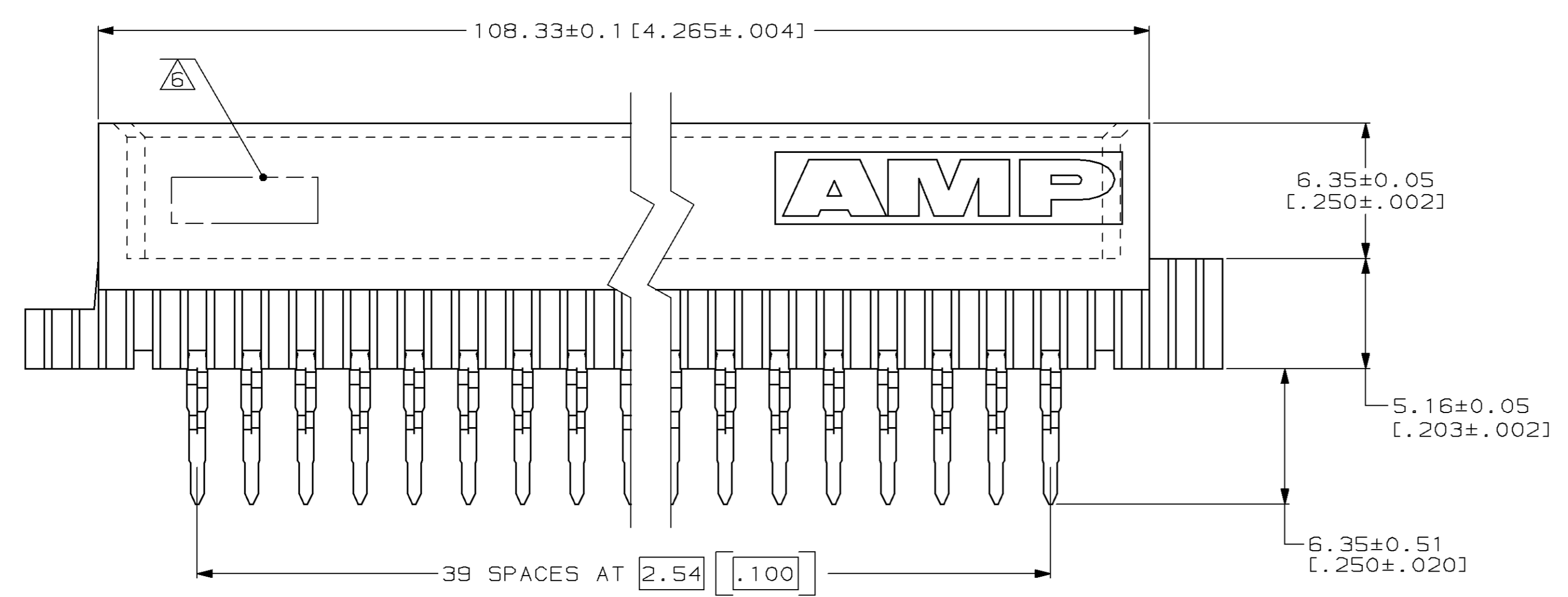
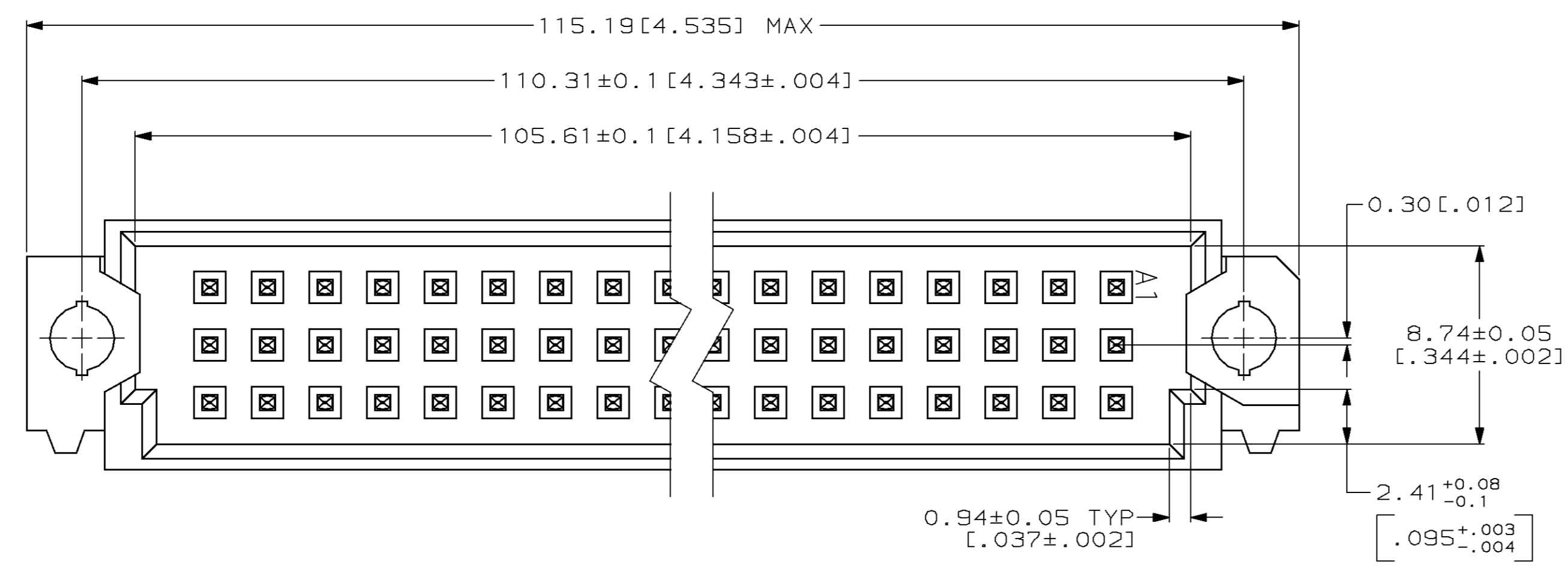


| LOC |    | DIST |  | P |  | F |  | ZONE |  | LTR |  | REVISIONS         |          |      |
|-----|----|------|--|---|--|---|--|------|--|-----|--|-------------------|----------|------|
| AD  | 25 |      |  |   |  |   |  |      |  |     |  | DESCRIPTION       | DATE     | APPD |
|     |    |      |  |   |  |   |  |      |  |     |  | H EC 0504-0087-96 | 11/18/96 | CR   |



- △ HOUSING MATERIAL: GLASS-FILLED POLYESTER. COLOR: GRAY.
- △ POST MATERIAL: PHOSPHOR BRONZE.
- △ POST FINISH: DIN 41612 CLASS 3 IN CONTACT AREA. TIN-LEAD PLATE ON POSTS.
- △ POST FINISH: DIN 41612 CLASS 2 IN CONTACT AREA. TIN-LEAD PLATE ON POSTS.
- △ ACTION PIN POSTS REQUIRE 2.36 [0.093] MINIMUM THICK PC BOARD. RECOMMENDED PC BOARD HOLES ARE 1.151 [0.0453] DIA PLATED THROUGH WITH 0.02-0.08 [0.001-.003] COPPER AND 0.008 [0.0003] MINIMUM TIN-LEAD PLATING. FINISHED HOLE AFTER PLATING, 0.94-1.09 [0.037-.043] DIA.
- △ PART NUMBER, DATE CODE MARKED THIS APPROXIMATE AREA.
- △ MARKING ON THIS SIDE.

SUPERSEDED BY 650921-5

| NOTES | POSITIONS LOADED | C | B | A | NO. OF LOADED POSITION | ASSY PART NUMBER |
|-------|------------------|---|---|---|------------------------|------------------|
|       | 1-40             | X | X | X | 120                    | 650921-9         |
|       | 1-40             | X | X | X | 120                    | 650921-5         |

| DO NOT SCALE PRINT. UNLESS SPECIFIED DIMENSIONS IN mm [INCHES] TOLERANCES ON: |                          | PART NO                     |                                            |
|-------------------------------------------------------------------------------|--------------------------|-----------------------------|--------------------------------------------|
| 1 PLC DEC ± -                                                                 | 2 PLC DEC ± 0.13 [0.005] | DR L. BRINER 3/18/91        | AMP Incorporated Harrisburg, PA 17105-3608 |
| ANGLES ± -                                                                    |                          | CHK D.C. RUBENDALL 3/26/91  |                                            |
| MATERIAL HOUSING: △                                                           | POST: △                  | APPD D.C. RUBENDALL 3/26/91 | NAME PIN ASSEMBLY, EUROCARD, TYPE "R"      |
| FINISH POST: △△                                                               |                          | APPD K.R. PARMER 3/26/91    | PRODUCT SPEC -                             |
|                                                                               |                          | APPLICATION SPEC -          | SIZE D 00779                               |
|                                                                               |                          | WEIGHT -                    | CAGE CODE 00779                            |
|                                                                               |                          |                             | DRAWING NO 650921                          |
|                                                                               |                          |                             | SCALE 5:1                                  |
|                                                                               |                          |                             | SHEET 1 OF 1                               |